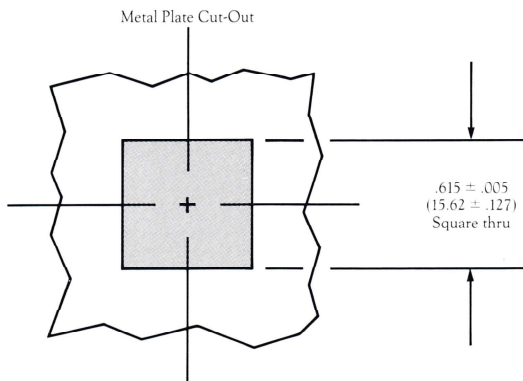
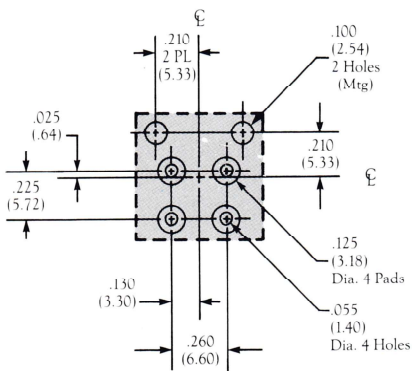
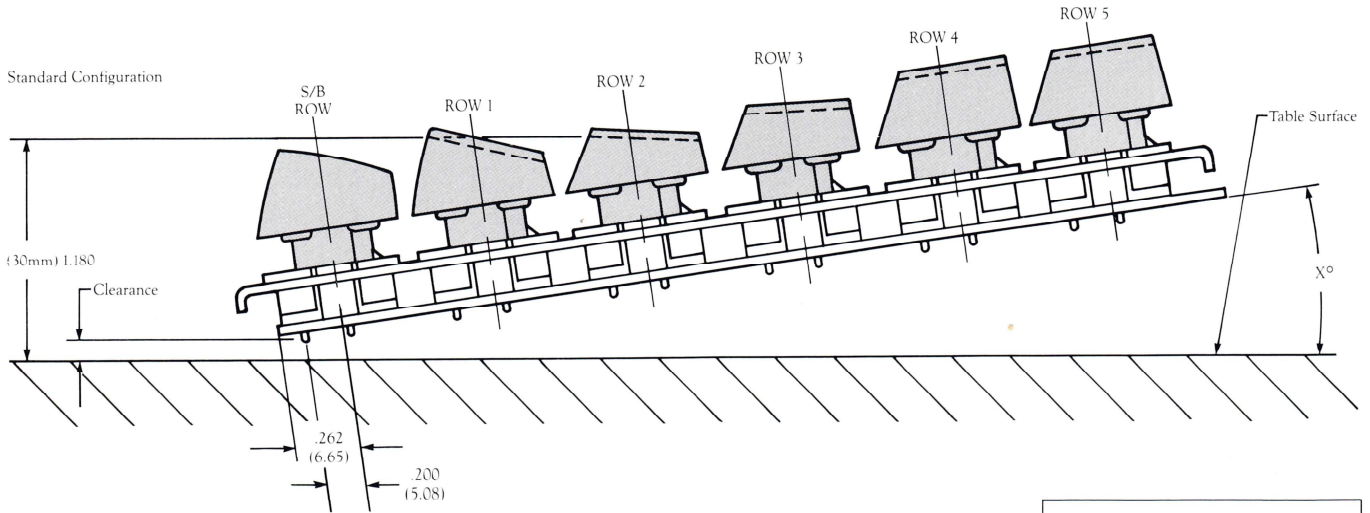


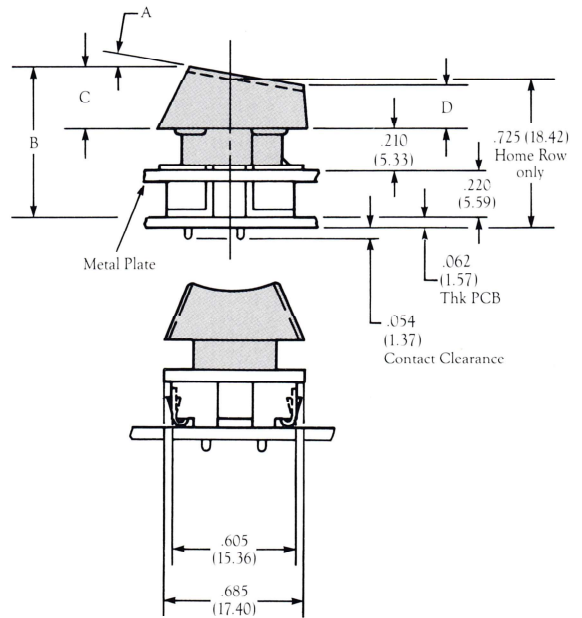
Keyswitch Dimensions



Angle/Clearance Table	
X°	Std. Config.
5°	.262" (6.65mm)
7°	.211" (5.36mm)
9°	.164" (4.17mm)
11°	.120" (3.05mm)
13°	.079" (2.01mm)
15°	.042" (1.07mm)

Series 725 Dimension Table				
Dim Row	A	B	C	D
S/B	18°	.825" (20.96mm)	.400" (10.16mm)	.230" (5.84mm)
1	18°	.825" (20.96mm)	.400" (10.16mm)	.230" (5.84mm)
2	10°	.725" (18.42mm)	.300" (7.62mm)	.200" (5.08mm)
3	5°	.725" (18.42mm)	.300" (7.62mm)	.250" (6.35mm)
4	0°	.785" (19.94mm)	.360" (9.14mm)	.360" (9.14mm)
5	0°	.785" (19.94mm)	.360" (9.14mm)	.360" (9.14mm)

Home Row



Specifications subject to change without notice. Patent Pending.



HI-TEK CORPORATION
7274 Lampson Avenue, Garden Grove, CA 92641
(714) 898-9511 Telex: 67-8486