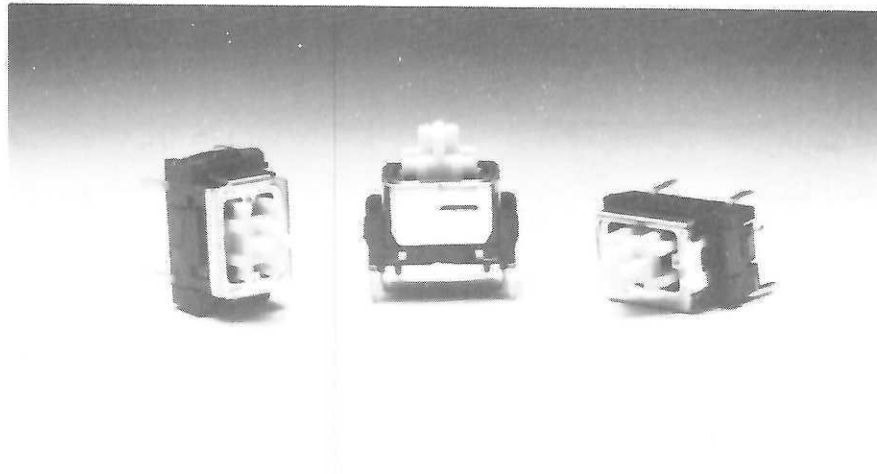


Low profile keyboard switch with gold contacts and tactile feedback



FEATURES

- Life 10 million keystrokes
- Tactile feedback
- Gold plated contacts
- Meets DIN requirements
- Various style keycaps available

SPECIFICATIONS

MECHANICAL

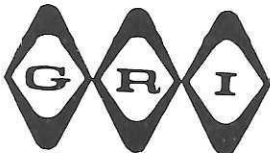
Operating force	1.23 Oz. \pm 0.35 Oz.
Pretravel	0.100 In. \pm 0.005 In.
Total travel	0.157 In. \pm 0.020 In.

ELECTRICAL

Current	5 mA
Voltage	12 VDC
Contact resistance	300 m Ω
Bounce	5 mSec. max.
Circuit	S.P.S.T. Normally open

ENVIRONMENTAL

Life	10,000,000 cycles
Operating temperature	-5°C to +50°C
Storage temperature	-20°C to +65°C
Humidity	0 to 95%RH, non condensing

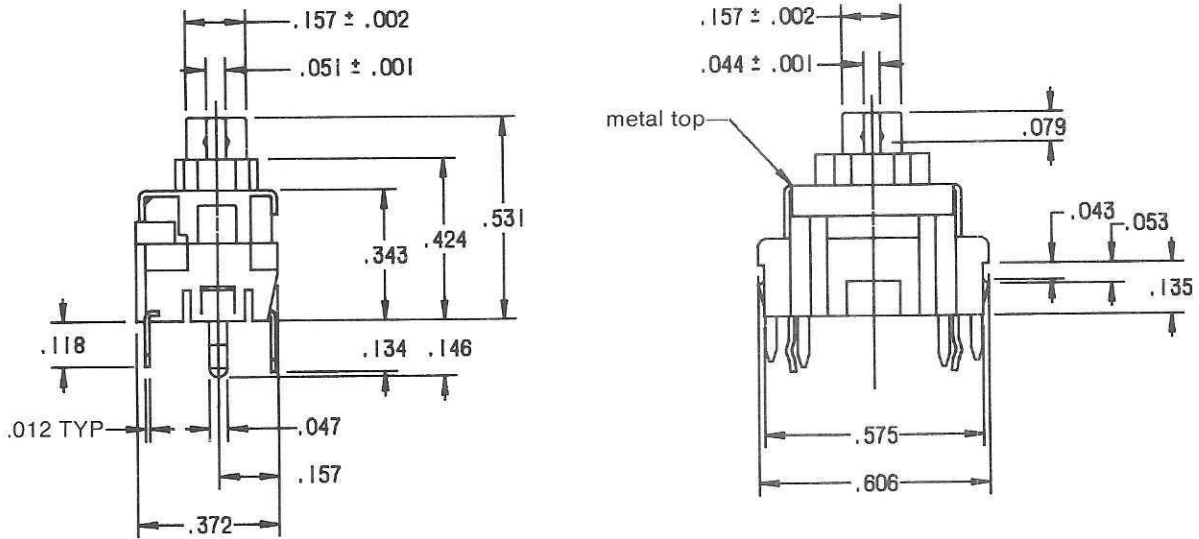


GEORGE RISK INDUSTRIES, INC.

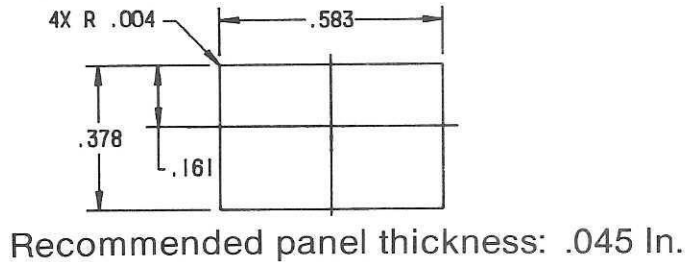
GRI PLAZA, KIMBALL, NEBRASKA 69145-1599
TEL: 800-445-5218 FAX: 308-235-2609
800-523-1227
308-235-4645

K B M - D I N

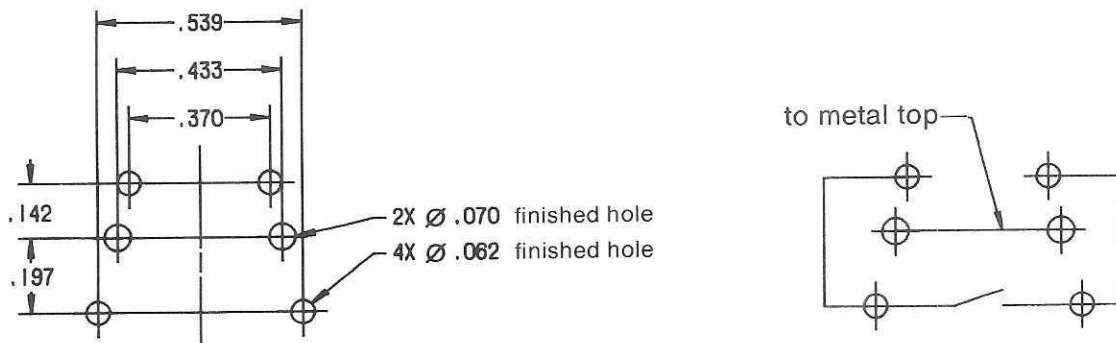
DIMENSIONS



MOUNTING PANEL CUTOUT



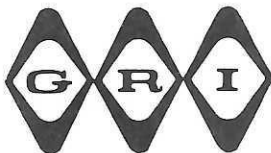
P.W.B. LAYOUT AND SCHEMATIC



ORDERING INFORMATION

Part Number KBM-DIN

BULLETIN S-19-A



GEORGE RISK INDUSTRIES, INC.

GRI PLAZA, KIMBALL, NEBRASKA 69145-1599
 TEL: 800-445-5218 FAX: 308-235-2609
 800-523-1227
 308-235-4645