

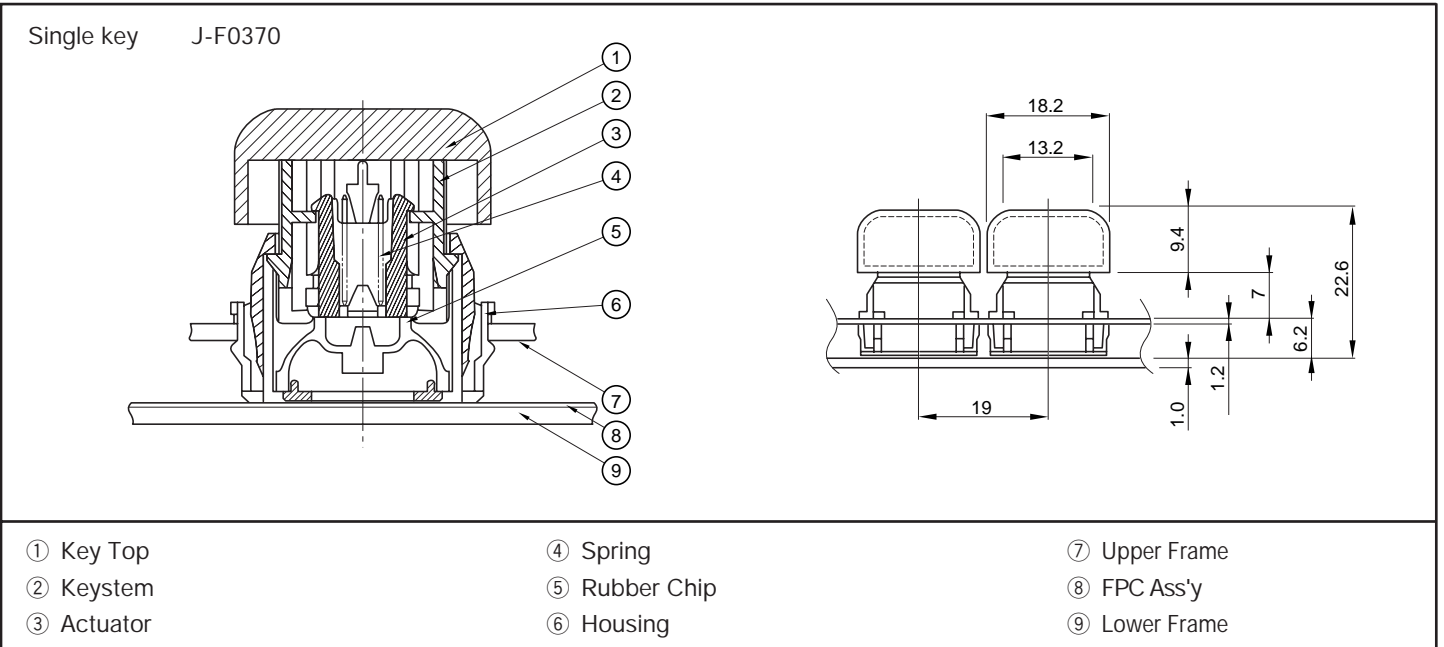
CUSTOM MADE HIGH-PROFILE KEYBOARD

KBS03 Series

■ Features

1. A light click feeling is obtained through use of rubber chips.
2. Membrane contacts with exceptional resistance to dust and spills are incorporated into the design. This long-lasting design is especially suited to adverse environmental conditions.

■ Basic Structure

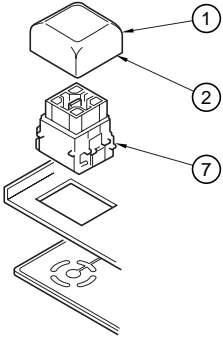
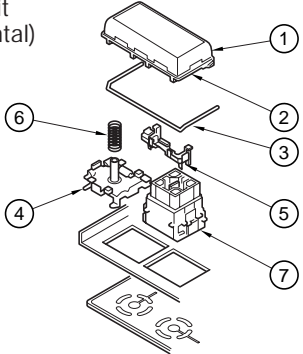
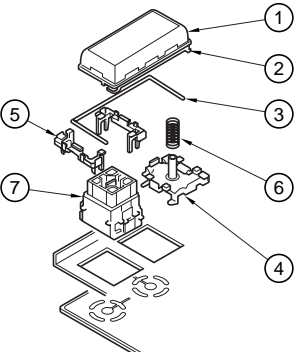
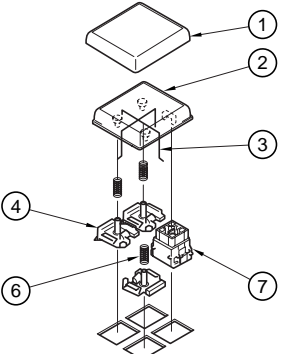


■ Specifications

Operating Force	50gf (0.49N)
Key Stroke	4mm
Maximum Rating	2mA 12V DC
Contact Resistance	1K Ω max.
Operating Life	1 x 10 ⁷ cycles

KBS03 Series

Key Switch Assembly Chart

Classification	① Cap		② Key Top	③ Interlocking Bar	④ Hook A	⑤ Hook B	⑥ Spring	⑦ Key Switch
	1X1Unit 	Clear Cap (Slope Type)	221KBS-001-90	302KBS-005-□□	-	-	-	-
Ten-key Slope Type	-	302KBS-003-□□	-	-	-	-		
Cylindrical Type	-	302KBS-025-□□ With Home Position 302KBS-026-□□	-	-	-	-		
Q'ty	1	1	-	-	-	-	1	
1X2 Unit (Horizontal) 	Clear (Slope Type)	221KBS-002-90	302KBS-041-□□	-	-	-	-	J-F0370 #01
Ten-key Slope Type	-	-	321KBS-014-01	541KBS-006-11	541KBS-007-12	601KBS-005-02		
Cylindrical Type	-	-	-	-	-	-		
Q'ty	1	1	1	1	1	1	1	
2X1 Unit (Vertical) 	Clear (Slope Type)	221KBS-002-90	302KBS-040-□□	-	-	-	-	J-F0370 #01
Ten-key Slope Type	-	-	321KBS-014-01	541KBS-006-11	541KBS-007-12	601KBS-005-02		
Cylindrical Type	-	-	-	-	-	-		
Q'ty	1	1	1	1	2	1	1	
2X2 Unit 	Clear (Slope Type)	221KBS-003-90	302KBS-048-□□	321KBS-007-90	541KBS-005-00	-	601KBS-005-02	J-F0370 #01
Q'ty	1	1	2	3	-	3	1	

Note: □ contained in the above cap model numbers are digits designating required characters or colors.