

# STANDARD KEYBOARD

## ULTRA LOW PROFILE NOTEBOOK KEYBOARD (86 Keys-USA)

### FKB7603 SERIES



#### ■ FEATURES

- 6.8 mm(0.267 in.) total height, 3.0 mm(0.118 in.) stroke, 19mm (0.748in.) pitch
- Suitable design for A4 size: 300 mm (11.81 in.)(W) × 108 mm (4.25 in.)(D) × 6.8 mm (0.267in.)(H)
- Supports Windows®95 keyboard function
- Excellent operation
  - Unique “Gear link” method offers comfortable key touch feeling
  - 3.0 mm (0.118 in.) keystroke, 55 g operating force (1.936 oz.), 20 g (0.704 oz.) tactile response
  - Soft tactile feedback
- Various language versions (86-keys: USA, 87-keys: Europe)
- High quality and reliability
- Laser printed keycaps meet environmental requirements
- Evaluation kit available

#### ■ MAIN APPLICATIONS

- Notebook type personal computer
- Workstation

#### ■ CONSTRUCTION

- Keyboard unit (without enclosure and microcontroller)

Note: Microcontroller is available as an option.

# FKB7603 SERIES

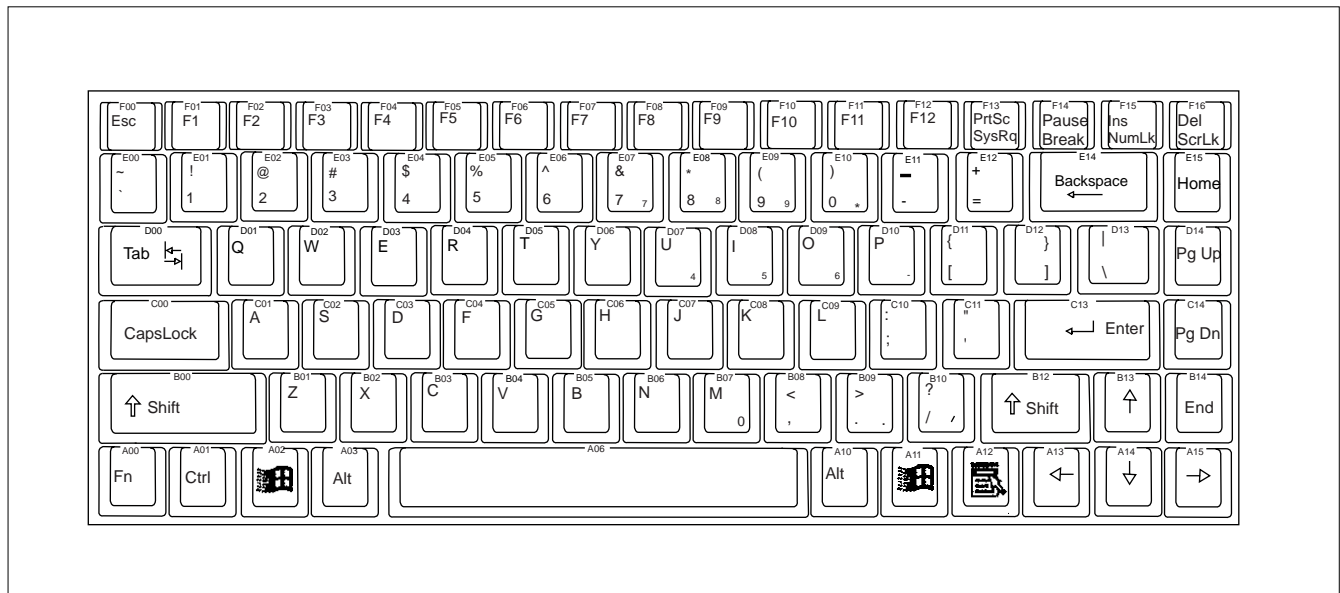
## ■ SPECIFICATIONS

Item	Specification		
	FKB7603-001		
Mechanical	Number of Keys	86 keys	
	Key Switch Type	Membrane switch	
	Keypop	Rectangular cylindrical	
	Operating Force	50 gf ±25 gf (1.760 ±0.88 oz.)	
	Stroke	3.0 mm ±0.5 mm (0.118 in. ±0.019 in.)	
	Tactile	20 gf typ. (0.704 oz.), Soft type	
	Height	6.8 mm (0.267 in.)	
	Operating Life	10 M operations minimum	
Electrical	Interface	Row and column matrix	
	Contact Resistance	1 K ohm maximum at 5 V DC	
	Key Switch Bounce	10 ms maximum	
Environment	Operating Temperature	0 to 50°C	
	Storage Temperature	-20 to 60°C	
	Humidity	90% RH maximum at +40°C maximum inversely proportional change to 50% RH	

## ■ PART NUMBER

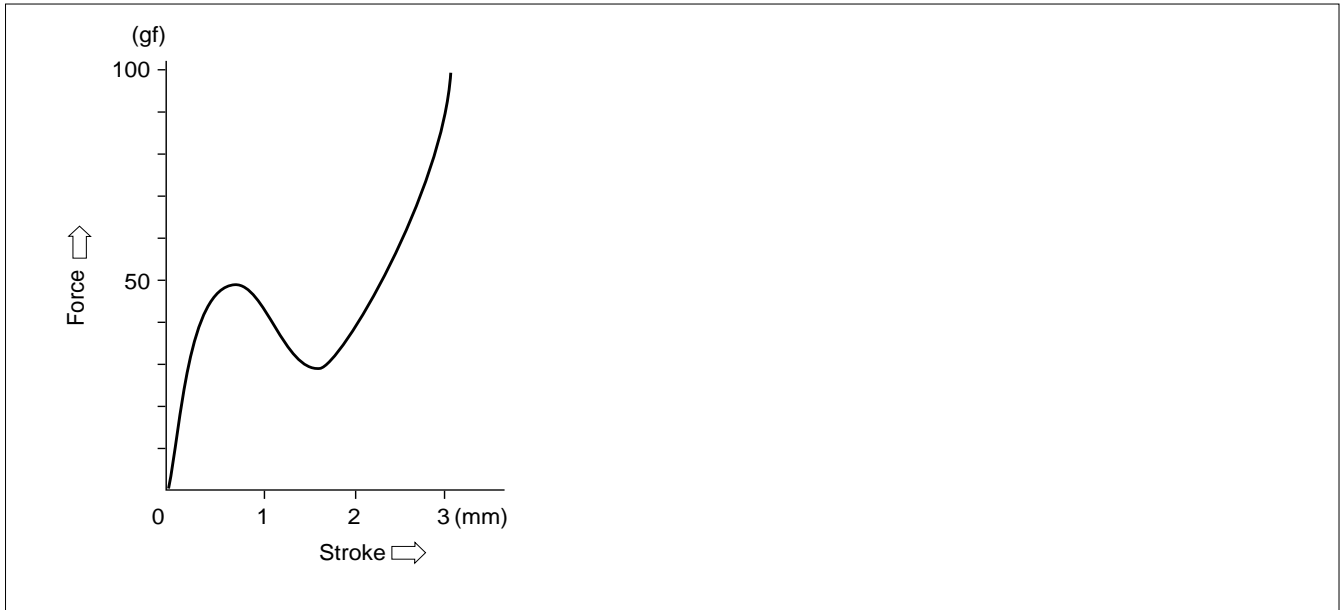
Parts Number	Number of Keys	Key Arrangement
FKB7603-501	86	U.S.

## ■ KEY LAYOUT

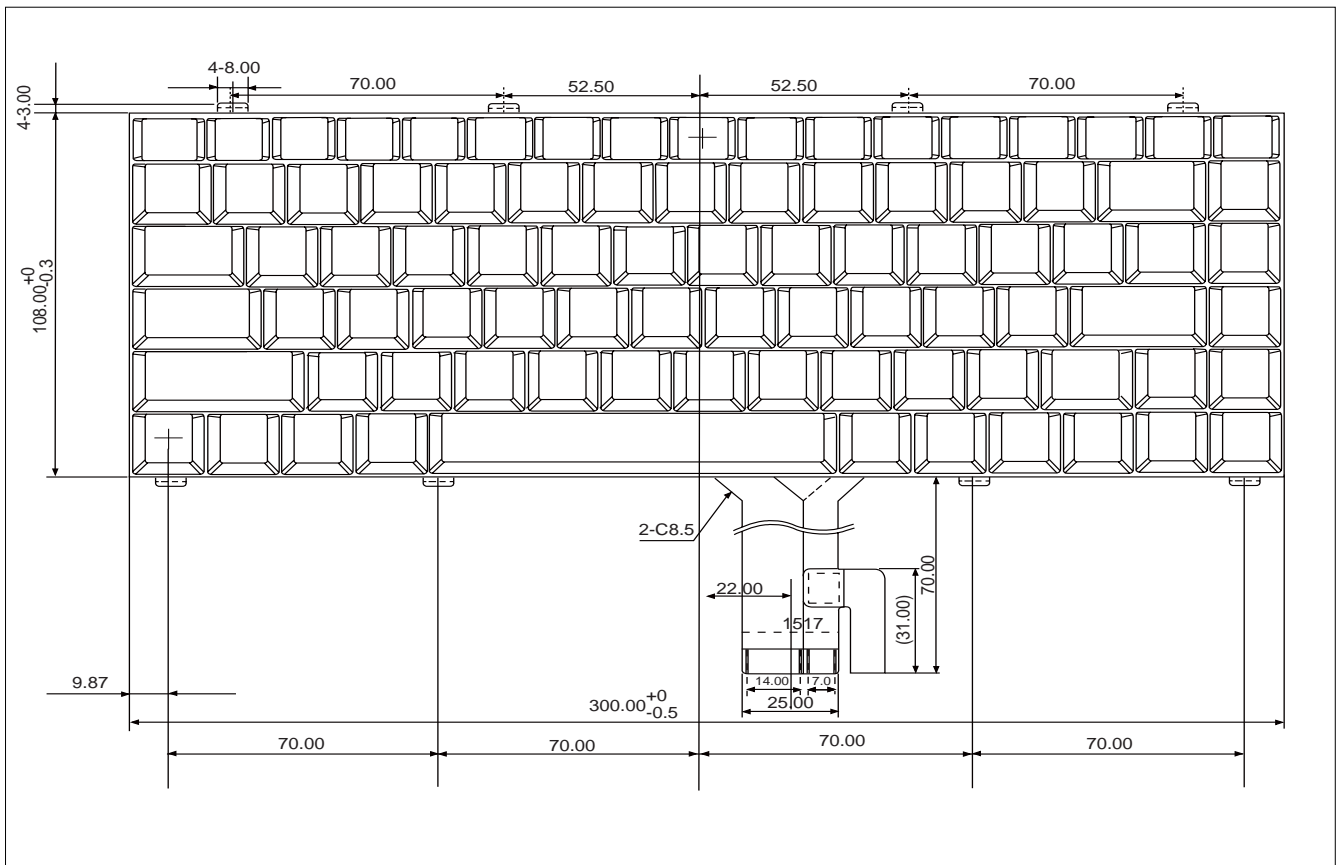


# FKB7603 SERIES

## ■ OPERATING FORCE AND TRAVEL CHARACTERISTICS

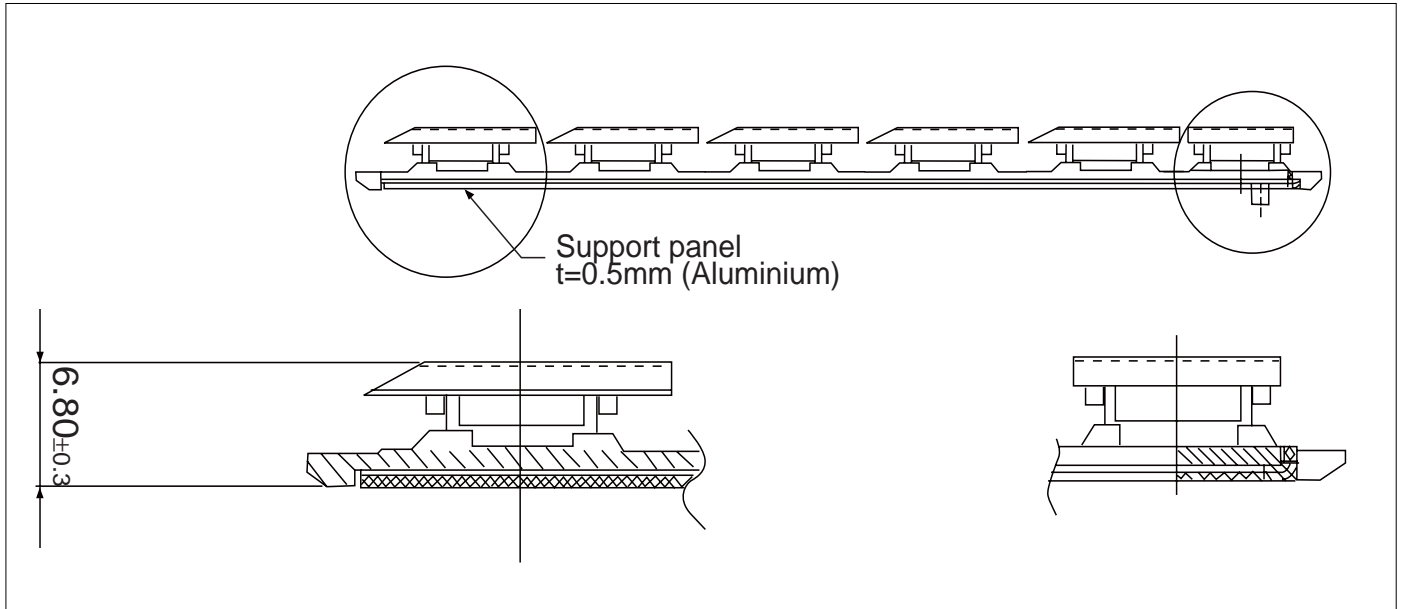


## ■ DIMENSIONS



# FKB7603 SERIES

## ■ KEY PROFILE



### Fujitsu Takamisawa International Headquarter Offices

[www.fujitsu.takamisawa.com](http://www.fujitsu.takamisawa.com)

#### Japan

Fujitsu Takamisawa Component Limited  
Global Marketing and Sales  
Gotanda-Chuo Building  
3-5, Higashigotanda 2-chome, Shinagawa-ku  
Tokyo 141, Japan  
Tel: (81-3) 5449-7010  
Fax: (81-3) 5449-2626

#### North and South America

Fujitsu Takamisawa America, Inc.  
250 E. Caribbean Drive  
Sunnyvale, CA 94089 U.S.A.  
Tel: (1-408) 745-4900  
Fax: (1-408) 745-4970

#### Europe

Fujitsu Takamisawa Europe B.V.  
Diamantlaan 25  
2132 WV Hoofddorp  
Netherlands  
Tel: (31-23) 5560910  
Fax: (31-23) 5560950

#### Asia Pacific

Fujitsu Takamisawa Asia Pacific Pte. Ltd.  
102E Pasir Panjang Road  
#04-01 Citilink Warehouse Complex  
Singapore 118529  
Tel: (65) 375-8560  
Fax: (65) 273-3021